

UNDERMOUNT SINK INSTALLATION INSTRUCTIONS

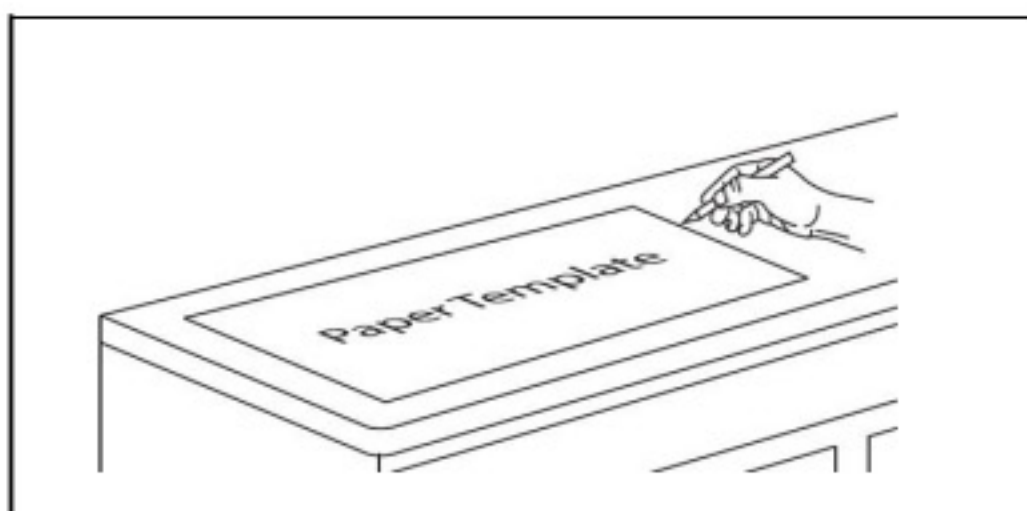
1. Remove your new sink from the carton. Use caution as sink edges may cause minor cuts. Wear safety gloves for your protection.

2. Remove your old sink and check cutout opening of the counter top to be sure it is sized properly. See cutout dimensions below and verify your new sink will fit to the opening by setting new sink to the undermount temporarily. Cutout dimensions of all sinks are as below.

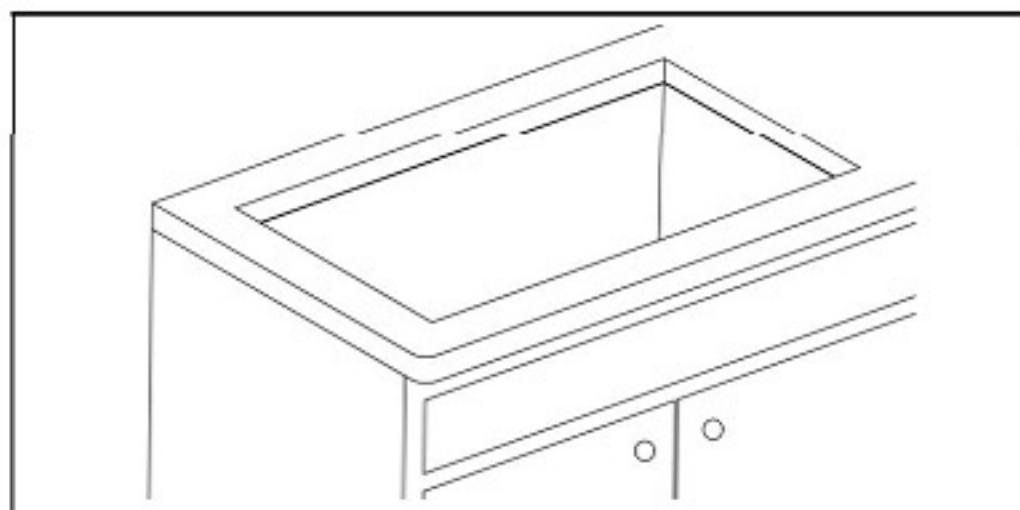
	Overall Size	Cutout Dimension
Sample	23" x 18"	21-3/20" x 16-3/20"

3. If you are installing a sink to a new undermount please follow directions as shown below.

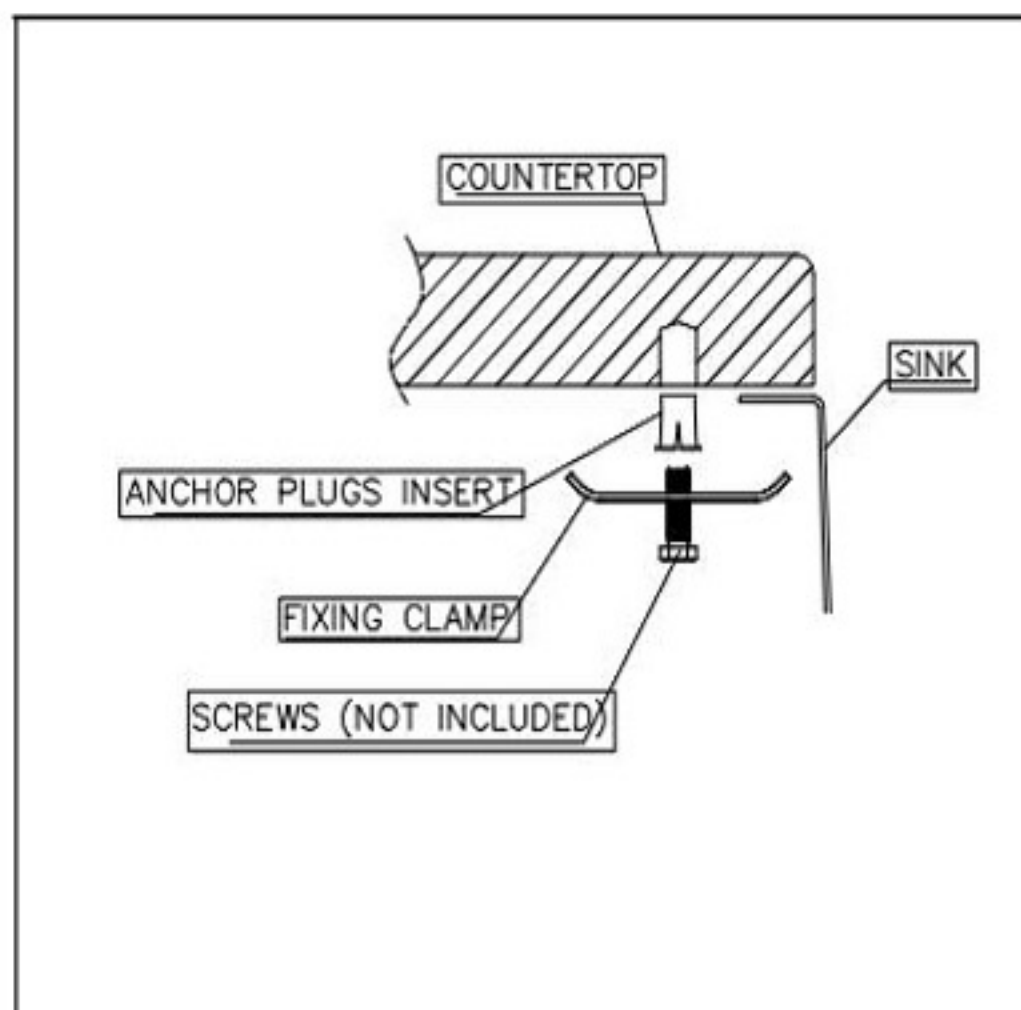
4. Place the cutting template on the desk in desired position and trace completely outside sink rim using soft lead pencil.



5. Using a sabre saw to cut it, after cutting the board of the desk, you need to clean it and put the sink into the hole.



6. Make sure sink rim covers caulking all around and insert screw into the counter top board. Single bowl sink always use 4 clips and double bowl sink use 8 clips.



7. Rotate clamp of the clip 90 degrees to the channel and tighten screw clockwise from the center clip using long screw driver.

8. Tighten all clips evenly and do not over tighten as damage can result. And then you need to put a marble on the sink which had been opening the faucet hole. Install the faucet, strainers and water supply fitting as necessary both can follow their installation instructions.

9. Care and Maintenance

Wipe excess always not supply and its caulking compound and check carefully as some adjustment for position and tightness may be required. Rinse thoroughly with a mild soap, warm water and wipe dry. Rub lightly with soft cloth in direction of grain lines. To avoid damage to sink surface and discoloration, never use a steel wool or scouring pad. Always rinse after each use and wipe dry.

